



GENIE[®] 701

Portable Insertion Probe™

Extremely lightweight yet surprisingly rugged

Liquid in a sample conditioning system can damage analyzers and lead to inaccurate sample analysis; directly affecting the bottom line. Applying our Analytically Correct™ designs to your sampling system can prevent these occurrences.

Our Genie[®] Model 701 Portable Insertion Probe is a simple, safe and economical solution to extract a representative vapor phase sample from a gas source. Our exclusive Pressure Balance™ technique allows for effortless insertion of the probe without the need for additional tools or pneumatic and hydraulic methods. Inserting the probe is easily accomplished by simply turning the handle with fingertips. This probe's lightweight design makes it ideal for use as a spot or portable analyzer sample probe. However it can also be used in a permanent installation as part of a continuous or composite sample system.

When using the Model 701 for spot sampling, our flow restrictor and Spot Sampling Manifold are recommended. The flow restrictor prevents liquid from being forced through the membrane as a result of excessive flow while the Spot Sampling Manifold provides an easy means to connect the cylinder to the probe and purge the sample path from probe tip to cylinder inlet valve.

We are the only manufacturer that provides Analytically Correct™ membrane tipped sample probes for insertion inside a pipeline or vessel. Using a membrane tip conforms to API 14.1 and GPA 2166 standards. Our patented Genie[®] Membrane Probes™ are the most efficient means for separating entrained liquid from the sample at source conditions.



Product Brief

Applications

- Gas sampling:
 - Petrochemical refineries
 - Chemical production facilities
 - Natural gas plants and pipelines
- Gas sampling of mixtures containing less than 30% hydrogen

Benefits

- Rejects entrained liquid in the source
 - Preserves sample integrity
 - Protects sample system from liquid and particulates
 - Achieves natural gas standards compliance
- Eliminates the need for:
 - Line depressurization
 - Multiple probes (spot or portable sampling)

Features

- Field proven and patented:
 - Genie[®] Membrane Tip Technology™
 - Pressure Balance™ Technique
 - Harmonic resonance during dampening
- Lightweight and portable with fingertip insertion
- Insertion depth scale and magnetic indicator ring
- Flow restrictor and manifold for spot sampling
- Analytically Correct™ design

Technical Specifications

Maximum Pressure Rating	3,000 psig (206.8 barg)
Temperature Ranges	Type 6 membranes: -35°F (-37°C) to 185°F (85°C) Actual limit depends on sealing material chosen. Refer to Temperature Range Comparison Chart.
Port Size	Outlet: 1/4" female NPT
Insertion Depth For greater insertion depths contact the factory.	L: Adjustable up to 11" (25.4mm)
Process Connection Requirement	1/2" NPT full opening threaded valve Ball, gate and double block and bleed valves are all suitable for use as long as their inner diameter is not less than 1/2".
Wetted Materials	Machined parts: 316/316L stainless steel / NACE compliant All other metal parts: stainless steel / NACE compliant Sealing material: User defined Membrane: Inert



Model Numbering & Additional Part Numbers

Your model number is determined by your specific needs. Choose options below.

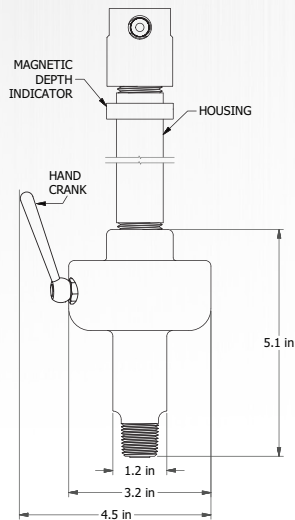
Sealing material	7 = Neoprene rubber	J = RGD resistant HNBR	(other materials available upon request)
Membrane type	6 = Rejects ALL types of liquids from vapor		(other membrane types available upon request)
Flow restrictor	Part # ACC-SS-4-SA-EA (1/4" MNPT x 1/4" FNPT)		
Spot sampling manifold	Part # 701-ACC-8111		
Complete membrane assembly	Part # 701-CMA-576(square body) or Part # 701-2CMA-576 (current round body)		

How to build the model number:

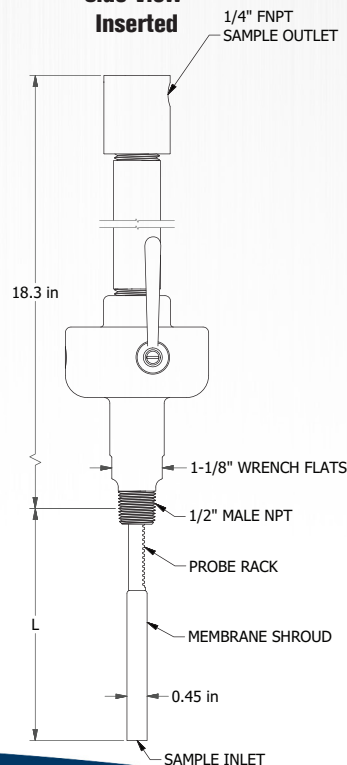


Dimensions

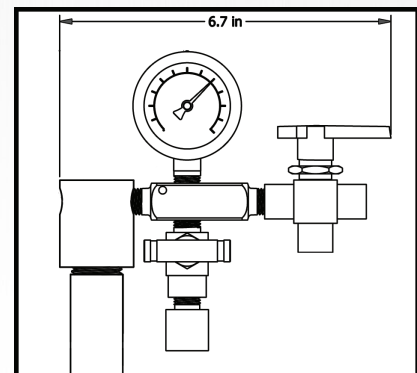
**Front View
Extracted**



**Side View
Inserted**



701 Spot Sampling Manifold Option



DASTEC S.R.L.

Representantes / Distribuidores Exclusivos

Argentina
Tel: (+54 11) 5352 2500
Email: info@dastecsrl.com.ar
Web: www.dastecsrl.com.ar



Analytically Correct™ sample systems, sample conditioning components, and revolutionary gas and liquid sampling technology.

Contact us for expert product application assistance.

1.225.644.5255

sales@geniefilters.com

geniefilters.com

41041 Black Bayou Road, Gonzales, Louisiana 70737

