

GENIE[®] 702 Permanent Insertion Probe™

Large enough for a 10' install yet small enough to fit in an enclosure!

Liquid in a sample conditioning system can damage analyzers and lead to inaccurate sample analysis; directly affecting the bottom line. Applying our Analytically Correct™ designs to your sampling system can prevent these occurrences.

Our Genie[®] Model 702 Permanent Insertion Probe is a simple, safe and economical solution to extract a representative vapor phase sample from a gas source. The 702 is designed for sampling at a specific depth in a pressurized pipeline; each length is customized up to 10 feet to fit your application. Our exclusive Pressure Balance™ technique allows you to effortlessly insert the probe without the need for additional tools or pneumatic and hydraulic methods. Once inserted, the installation housing can be replaced with a shorter one to accommodate partial retraction of the probe during pigging operations or placement into heated enclosures.

We are the only manufacturer that provides Analytically Correct™ membrane tipped sample probes for insertion inside a pipeline or vessel. Using a membrane tip conforms to API 14.1 and GPA 2166 standards. Our patented Genie[®] Membrane Probes™ are the most efficient means for separating entrained liquid from the sample at source conditions.

Technical Specifications	
Maximum pressure rating	3,500 psig (241.3 barg)
Minimum supply pressure	50 psig (3.5 barg) with pressure reduction option.
Temperature ranges	Type 6 membranes: -35°F (-37.2°C) to 185°F (85°C) *Type 7 membrane: -35°F (-37.2°C) to 300°F (149°C) * Actual limit depends on sealing material chosen. Refer to Temperature Range Comparison Chart.
Maximum Recommended Flow Rate	Type 6 Best Rejection: 2.0 LPM (4.2 CFH) (actual conditions) Type 7 Highest Temps: 2.5 LPM (5.3 CFH) (actual conditions) Results in approx. 2 PSI pressure differential. For higher flow rates, contact the factory.
Port sizes	Outlet, vent, and gauge: 1/8" female NPT
Process connection	3/4" NPT or 1 1/2" NPT
Valve requirement (customer provided)	Straight-through path with minimum bore of 0.75" (1.91 cm)
Probe lengths	L: 4ft (1.2 m) to 10 ft (3.0m), shorter lengths available. A: (L) + 7.3"
Wetted materials	Machined parts: 316/316L stainless steel / NACE compliant. All other metal parts: stainless steel / NACE compliant. Sealing material: User defined Membrane: Inert.



Product Brief

Applications

- Continuous sampling from underground natural gas transmission lines and certain hazardous gas sources
- Gas sampling of mixtures containing less than 30% hydrogen

Benefits

- Protects sample system from liquid and particulates
- Insertion and retraction without pneumatic or hydraulic methods
- Source conditions monitored while sampling
- API 14.1 and GPA 2166 standards compliance
- Installation and maintenance without depressurizing line
- Helps preserve sample integrity
- Increases safety of personnel

Features

- Genie[®] Membrane Technology™
- Pressure Balance™ installation
- Partial retraction housing accommodates pigging operations or placement into enclosures
- Built-in ports and valves for purging vented gas
- Low profile above pipe

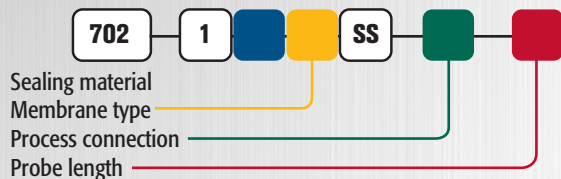


Model Numbering & Additional Part Numbers

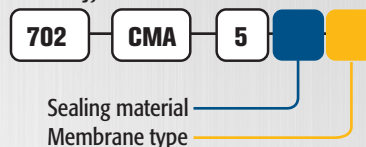
Your model number is determined by your specific needs. Choose options below.

Sealing material	7 = Neoprene rubber	J = RGD resistant HNBR	(other materials available upon request)
Membrane type	6 = Better Rejection; Rejects ALL types of liquids from vapor 7 = Highest Temps; Rejects ONLY high surface tension liquids		
Process connection	3 = 3/4" NPT	6 = 1 1/2" NPT	
Probe length (L)	Custom length (specified in inches): up to a maximum 120 inches.		
Regulator coupling	ACC-SS-702-1 (recommended when attaching external regulator)		

How to build the model number:

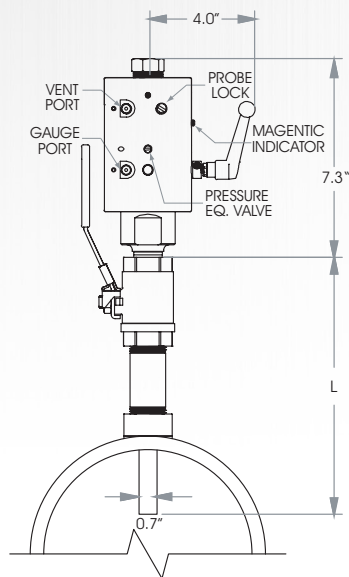


How to build the replacement membrane number: (Contains 1 complete assembly)

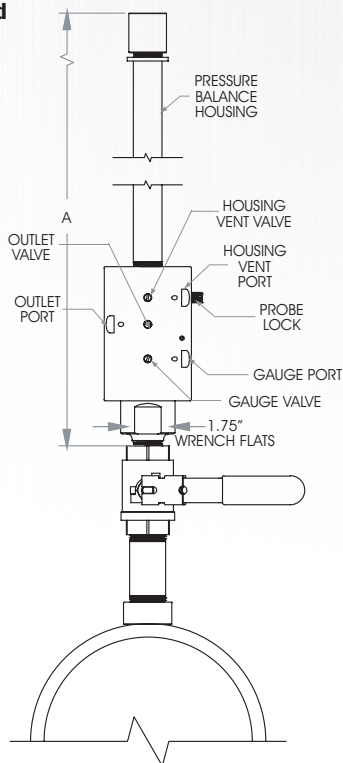


Dimensions

Inserted



Extracted



DASTEC S.R.L.

Representantes / Distribuidores Exclusivos

Argentina

Tel: (+54 11) 5352 2500

Email: info@dastecsr.com.ar

Web: www.dastecsr.com.ar



Analytically Correct™ sample systems, sample conditioning components, and revolutionary gas and liquid sampling technology.

Contact us for expert product application assistance.

1.225.644.5255

sales@geniefilters.com

geniefilters.com

41041 Black Bayou Road, Gonzales, Louisiana 70737

